

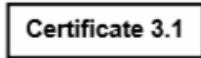


## Main Features:-

- ◆ Flanged Knife Gate Valve
- ◆ Non-Rising Stem
- ◆ Bi-Directional Tightness
- ◆ Temperature from -10°C to +90°C\*
- ◆ Rated PN10 up to DN200

\*Temperature and pressure determined by valve body, seat etc.

## Suitable Applications & Approvals:

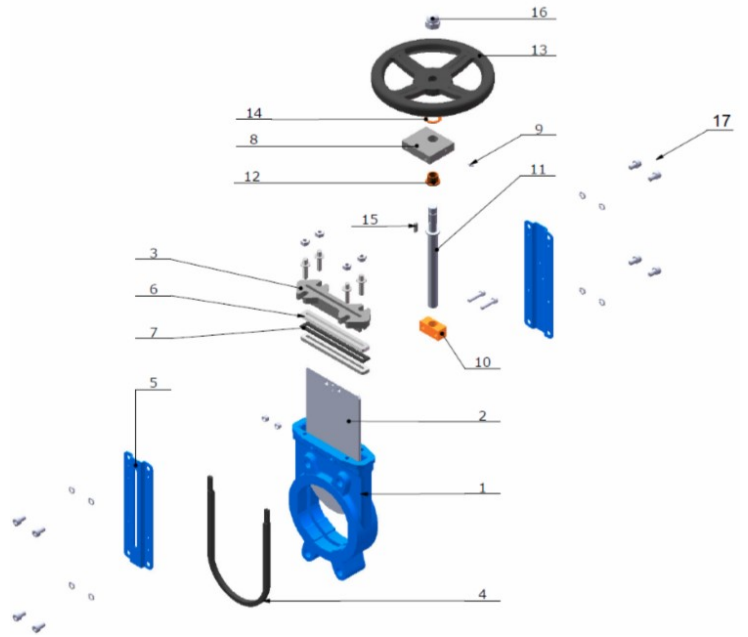


**SERIES: 42024**

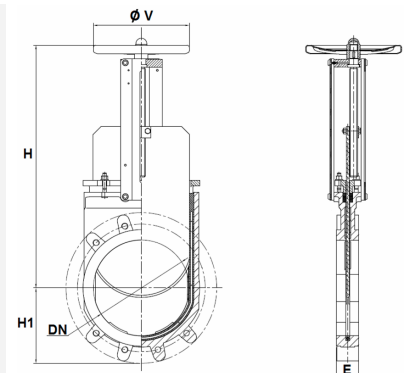
MANUFACTURER: **AVOL**  
INDUSTRIAL VALVES

VALVE DIMENSIONS

No	Name	42001
1	Body	Cast Iron EN GJL-250
2	Gate	AISI 304
3	Packing Gland Nut	Ductile Iron EN GJS-400-15
4	Seat	NBR
5	Support	Painted Steel
6	Packing (Tress)	PTFE
7	Packing (O'Ring)	NBR
8	Yoke	Steel
9	Greaser	Brass
10	Stem Nut	Bronze
11	Stem	AISI 304
12	Stem Nut	Bronze
13	Handwheel	A3 Steel
14	Ring	Bronze
15	Pin	Steel
16	Handwheel Nut	Zinc-Coated Steel
17	Bolting	Zinc-Coated 8.8 Steel



DN	50	65	80	100	125	150	200	250	300	450	400	450	500
E	40	40	50	50	50	60	60	70	70	96	100	106	110
H	289	316	342	382	415	458	575	676	776	906	1012	1098	1210
H1	63	70	92	105	120	130	160	198	234	256	292	308	340
∅V	200	200	200	200	250	250	300	300	300	500	500	500	500
KG	6.2	6.8	8	9.9	12.7	16.9	25.4	42.7	59	119	144	166	203



**T** +44 (0)1386 552369

**E** sales@allvalves.co.uk

**W** www.allvalves.co.uk

**F** +44 (0)1386 554227



AVOL valves are our range of industrial valves selected by our experienced technical sales team.

## SERIES: 42024

DN	Pressure	Temperature	
50 – 200	10 Bar	NBR	-10°C / +90°C
250	8 Bar	EPDM	-15°C / +130°C
300	6 Bar	FKM	-10°C / +180°C
350 – 400	4 Bar		
450 – 600	3 Bar		

### ACCESSORIES



Bipolar Sensor



Chain Handwheel



Steel Support w/ Bolting



Chain

### ALL VALVES ONLINE

Offering a full range of actuated valve packages, manual valve range, pipe fittings and pumps, we have a product for all your requirements. As an ISO 9001-2015 Quality Approved and certified company, All Valves offer a quality service from pre-sale to post sale. Shipping millions of pounds in value of manual valve and actuated valve packages all over the world since its formation, All Valves are a trusted valve and actuator supplier to many companies all over the world. Working with the leading brands in most industries.

VALVE DIMENSIONS



T +44 (0)1386 552369

E sales@allvalves.co.uk

W www.allvalves.co.uk

F +44 (0)1386 554227